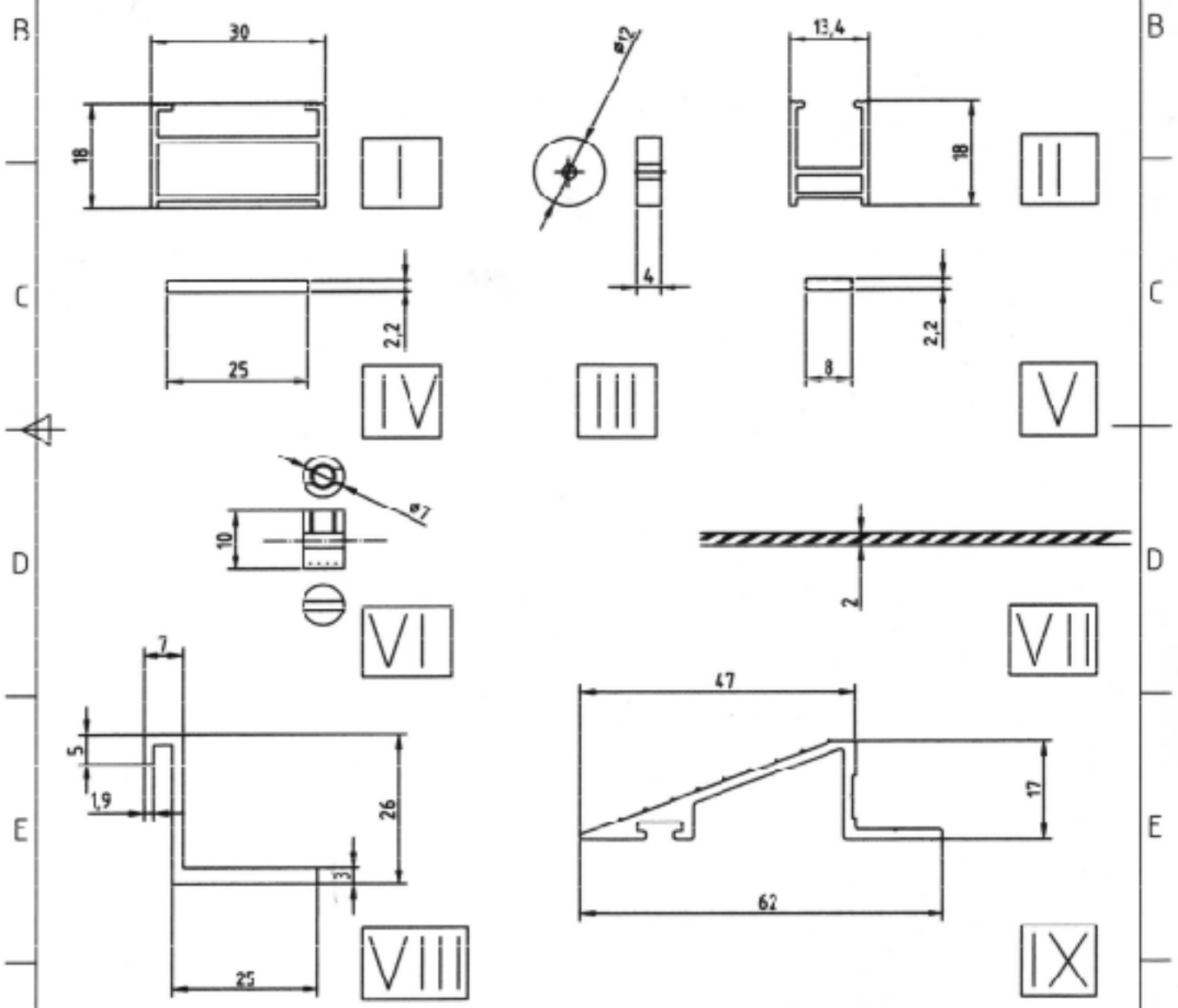


1	2	3	4
Pos.No	Onschrijving / Description / Umschreibung	Mat.1	Mat.2 Spec.
I	COMBIFLEX-I profiel/ COMBIFLEX-I profile / KOMBIFLEX-I Profil	ALU	anodised
II	COMBIFLEX-II profiel/ COMBIFLEX-II profile/ KOMBIFLEX-II Profil	ALU	anodised
III	Rubber Afstandhouder/ Rubber Spacer/ Gummi Distanzscheibe	EPDM	
IV	Schuimrug-Antislip/ Foamrib-Antislip / Schaumband-Antirutsch	PVC	
V	Schuimrug-Antislip/ Foamrib-Antislip / Schaumband-Antirutsch	PVC	
VI	Spannippel / Grommet / Spann-Nippel	RVS	Stainless steel
VI	Spankabel/ .Tension-Cable / Spann-Kabel	RVS	Stainless steel
VII	Raamwerkprofiel / Frame profile / Rahmen Profil	ALU	anodised
IX	Aanloopprofiel / Ramp profile / Anlauf Profil; OPTIONAL	ALU	anodised



Itemref	Quantity	Title/name, designation, material, dimension etc	Article No./Reference
Designed by TCC/DZ	Checked by TCC	Approved by - date ABI:.....	File name PROFILES
		Date SEPT,08,2003	Scale 1:1/5:1
ALUMINIE WERKSTADINDUSTRIE <i>Slottenhaar bv</i>		COMBIFLEX 015.0050	
		Edition	Sheet